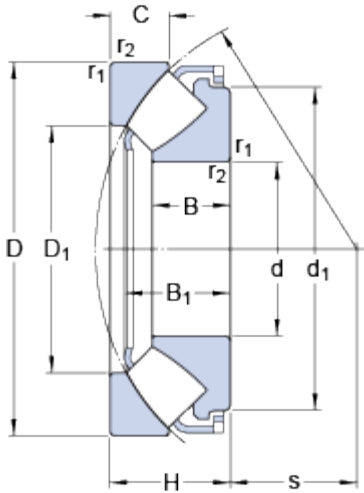


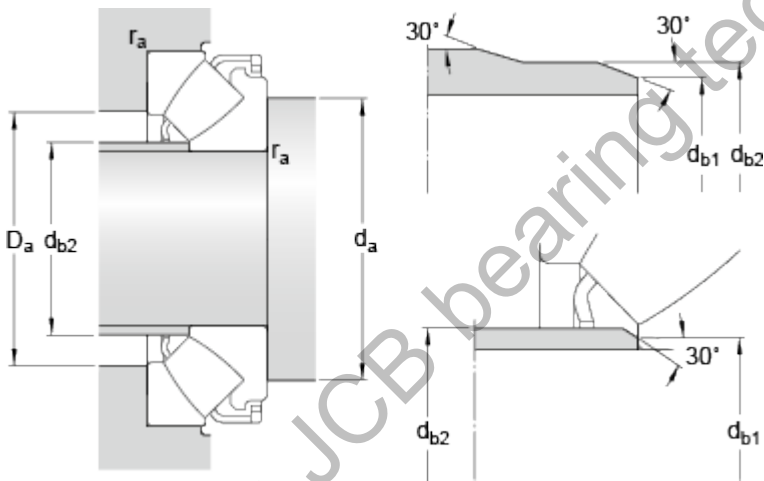
29344-YA8

Dimensions



d	220	mm
D	360	mm
H	85	mm
d ₁	≈ 326	mm
D ₁	≈ 274	mm
B	55	mm
B ₁	77.7	mm
C	41	mm
s	125	mm
r _{1,2}	min. 4	mm

Abutment dimensions



d _a	min. 285	mm
d _{b1}	max. 229	mm
d _{b2}	max. 240	mm
D _a	max. 316	mm
r _a	max. 3	mm

Calculation data

Basic dynamic load rating	C	2000	kN
Basic static load rating	C ₀	6300	kN
Fatigue load limit	P _u	610	kN
Reference speed		1000	r/min
Limiting speed		1700	r/min
Minimum axial load factor	A	3.8	

Mass

Mass bearing		31.2	kg
--------------	--	------	----